

Project:

Observer(s):

Sarah Jorgensen

JOA Surveys (907) 561-0136

Station Name &

Location:

332-30

Session: A B C

Start (UTC) Date:

15 July 2015

End (UTC) Date:

15 July 2015

Time:

20:47

Time:

23:06

Receiver Model:

1.279

Hiper II

Receiver s/n:

738-10879

Antenna Model:

Antenna s/n:

Height of antenna:

Start: 1.279 m

ft () m

2mm check

End: 1.279 m

ft () m

2mm check

Delta: 0.0 m

less than 0.006m

ARP (bottom of antenna)

Slant Height (Include sketch of antenna and measure point in Comments section)

Unheld GPS Coordinate (NAD 83)

Latitude:

58-50-25.9N

Longitude:

154-45-58.2W

Data Filename:

ex: cp08234a.110

Photos:

Face (cap)

HI

Looking Down

Horizon

Horizon

Horizon

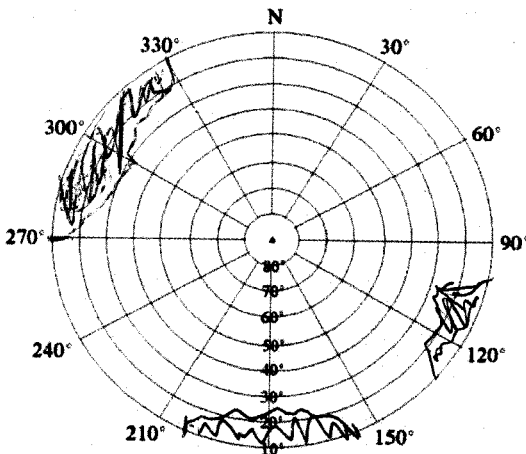
Horizon

Comments:

alpine meadow
6-12m tussocks

VISIBILITY OBSTRUCTION DIAGRAM

Check if no obstructions above 10 degrees



Observer initials: **SK**

Station Name: **332-3**

Sketch:



TRUE

Monument stamping:

Monument type:

Setting:

- Flush Projecting Recessed

Stability classification:

_____ cm

Five horizontal dotted lines for sketching or notes.