

EXPLANATION FOR GENERALIZED GEOLOGIC MAP

CORRELATION OF MAP UNITS

SURFICIAL DEPOSITS

SEDIMENTARY AND VOLCANIC ROCKS

INTRUSIVE AND ULTRAMAFIC ROCKS

Qs	Quaternary	TR	Middle Tertiary	TERTIARY
Ts	Tertiary	Tmk	Lower Tertiary	
Tsv	Upper Tertiary	TKI	Upper Tertiary	
Kjs	Lower Cretaceous and (or) Jurassic	MR	Upper Paleozoic	TERTIARY CRETACEOUS
Kjb	Upper Paleozoic	MR2	Upper Paleozoic	
MR	Upper Paleozoic	MR3	Upper Paleozoic	MESOZOIC AND (OR) PALEOZOIC
MR2	Upper Paleozoic	MR4	Upper Paleozoic	
MR3	Upper Paleozoic	MR5	Upper Paleozoic	MESOZOIC AND (OR) PALEOZOIC
MR4	Upper Paleozoic	MR6	Upper Paleozoic	
MR5	Upper Paleozoic	MR7	Upper Paleozoic	MESOZOIC AND (OR) PALEOZOIC
MR6	Upper Paleozoic	MR8	Upper Paleozoic	
MR7	Upper Paleozoic	MR9	Upper Paleozoic	MESOZOIC AND (OR) PALEOZOIC
MR8	Upper Paleozoic	MR10	Upper Paleozoic	
MR9	Upper Paleozoic	MR11	Upper Paleozoic	MESOZOIC AND (OR) PALEOZOIC
MR10	Upper Paleozoic	MR12	Upper Paleozoic	
MR11	Upper Paleozoic	MR13	Upper Paleozoic	MESOZOIC AND (OR) PALEOZOIC
MR12	Upper Paleozoic	MR14	Upper Paleozoic	
MR13	Upper Paleozoic	MR15	Upper Paleozoic	MESOZOIC AND (OR) PALEOZOIC
MR14	Upper Paleozoic	MR16	Upper Paleozoic	
MR15	Upper Paleozoic	MR17	Upper Paleozoic	MESOZOIC AND (OR) PALEOZOIC
MR16	Upper Paleozoic	MR18	Upper Paleozoic	
MR17	Upper Paleozoic	MR19	Upper Paleozoic	MESOZOIC AND (OR) PALEOZOIC
MR18	Upper Paleozoic	MR20	Upper Paleozoic	
MR19	Upper Paleozoic	MR21	Upper Paleozoic	MESOZOIC AND (OR) PALEOZOIC
MR20	Upper Paleozoic	MR22	Upper Paleozoic	
MR21	Upper Paleozoic	MR23	Upper Paleozoic	MESOZOIC AND (OR) PALEOZOIC
MR22	Upper Paleozoic	MR24	Upper Paleozoic	
MR23	Upper Paleozoic	MR25	Upper Paleozoic	MESOZOIC AND (OR) PALEOZOIC
MR24	Upper Paleozoic	MR26	Upper Paleozoic	
MR25	Upper Paleozoic	MR27	Upper Paleozoic	MESOZOIC AND (OR) PALEOZOIC
MR26	Upper Paleozoic	MR28	Upper Paleozoic	
MR27	Upper Paleozoic	MR29	Upper Paleozoic	MESOZOIC AND (OR) PALEOZOIC
MR28	Upper Paleozoic	MR30	Upper Paleozoic	
MR29	Upper Paleozoic	MR31	Upper Paleozoic	MESOZOIC AND (OR) PALEOZOIC
MR30	Upper Paleozoic	MR32	Upper Paleozoic	
MR31	Upper Paleozoic	MR33	Upper Paleozoic	MESOZOIC AND (OR) PALEOZOIC
MR32	Upper Paleozoic	MR34	Upper Paleozoic	
MR33	Upper Paleozoic	MR35	Upper Paleozoic	MESOZOIC AND (OR) PALEOZOIC
MR34	Upper Paleozoic	MR36	Upper Paleozoic	
MR35	Upper Paleozoic	MR37	Upper Paleozoic	MESOZOIC AND (OR) PALEOZOIC
MR36	Upper Paleozoic	MR38	Upper Paleozoic	
MR37	Upper Paleozoic	MR39	Upper Paleozoic	MESOZOIC AND (OR) PALEOZOIC
MR38	Upper Paleozoic	MR40	Upper Paleozoic	
MR39	Upper Paleozoic	MR41	Upper Paleozoic	MESOZOIC AND (OR) PALEOZOIC
MR40	Upper Paleozoic	MR42	Upper Paleozoic	
MR41	Upper Paleozoic	MR43	Upper Paleozoic	MESOZOIC AND (OR) PALEOZOIC
MR42	Upper Paleozoic	MR44	Upper Paleozoic	
MR43	Upper Paleozoic	MR45	Upper Paleozoic	MESOZOIC AND (OR) PALEOZOIC
MR44	Upper Paleozoic	MR46	Upper Paleozoic	
MR45	Upper Paleozoic	MR47	Upper Paleozoic	MESOZOIC AND (OR) PALEOZOIC
MR46	Upper Paleozoic	MR48	Upper Paleozoic	
MR47	Upper Paleozoic	MR49	Upper Paleozoic	MESOZOIC AND (OR) PALEOZOIC
MR48	Upper Paleozoic	MR50	Upper Paleozoic	
MR49	Upper Paleozoic	MR51	Upper Paleozoic	MESOZOIC AND (OR) PALEOZOIC
MR50	Upper Paleozoic	MR52	Upper Paleozoic	
MR51	Upper Paleozoic	MR53	Upper Paleozoic	MESOZOIC AND (OR) PALEOZOIC
MR52	Upper Paleozoic	MR54	Upper Paleozoic	
MR53	Upper Paleozoic	MR55	Upper Paleozoic	MESOZOIC AND (OR) PALEOZOIC
MR54	Upper Paleozoic	MR56	Upper Paleozoic	
MR55	Upper Paleozoic	MR57	Upper Paleozoic	MESOZOIC AND (OR) PALEOZOIC
MR56	Upper Paleozoic	MR58	Upper Paleozoic	
MR57	Upper Paleozoic	MR59	Upper Paleozoic	MESOZOIC AND (OR) PALEOZOIC
MR58	Upper Paleozoic	MR60	Upper Paleozoic	
MR59	Upper Paleozoic	MR61	Upper Paleozoic	MESOZOIC AND (OR) PALEOZOIC
MR60	Upper Paleozoic	MR62	Upper Paleozoic	
MR61	Upper Paleozoic	MR63	Upper Paleozoic	MESOZOIC AND (OR) PALEOZOIC
MR62	Upper Paleozoic	MR64	Upper Paleozoic	
MR63	Upper Paleozoic	MR65	Upper Paleozoic	MESOZOIC AND (OR) PALEOZOIC
MR64	Upper Paleozoic	MR66	Upper Paleozoic	
MR65	Upper Paleozoic	MR67	Upper Paleozoic	MESOZOIC AND (OR) PALEOZOIC
MR66	Upper Paleozoic	MR68	Upper Paleozoic	
MR67	Upper Paleozoic	MR69	Upper Paleozoic	MESOZOIC AND (OR) PALEOZOIC
MR68	Upper Paleozoic	MR70	Upper Paleozoic	
MR69	Upper Paleozoic	MR71	Upper Paleozoic	MESOZOIC AND (OR) PALEOZOIC
MR70	Upper Paleozoic	MR72	Upper Paleozoic	
MR71	Upper Paleozoic	MR73	Upper Paleozoic	MESOZOIC AND (OR) PALEOZOIC
MR72	Upper Paleozoic	MR74	Upper Paleozoic	
MR73	Upper Paleozoic	MR75	Upper Paleozoic	MESOZOIC AND (OR) PALEOZOIC
MR74	Upper Paleozoic	MR76	Upper Paleozoic	
MR75	Upper Paleozoic	MR77	Upper Paleozoic	MESOZOIC AND (OR) PALEOZOIC
MR76	Upper Paleozoic	MR78	Upper Paleozoic	
MR77	Upper Paleozoic	MR79	Upper Paleozoic	MESOZOIC AND (OR) PALEOZOIC
MR78	Upper Paleozoic	MR80	Upper Paleozoic	
MR79	Upper Paleozoic	MR81	Upper Paleozoic	MESOZOIC AND (OR) PALEOZOIC
MR80	Upper Paleozoic	MR82	Upper Paleozoic	
MR81	Upper Paleozoic	MR83	Upper Paleozoic	MESOZOIC AND (OR) PALEOZOIC
MR82	Upper Paleozoic	MR84	Upper Paleozoic	
MR83	Upper Paleozoic	MR85	Upper Paleozoic	MESOZOIC AND (OR) PALEOZOIC
MR84	Upper Paleozoic	MR86	Upper Paleozoic	
MR85	Upper Paleozoic	MR87	Upper Paleozoic	MESOZOIC AND (OR) PALEOZOIC
MR86	Upper Paleozoic	MR88	Upper Paleozoic	
MR87	Upper Paleozoic	MR89	Upper Paleozoic	MESOZOIC AND (OR) PALEOZOIC
MR88	Upper Paleozoic	MR90	Upper Paleozoic	
MR89	Upper Paleozoic	MR91	Upper Paleozoic	MESOZOIC AND (OR) PALEOZOIC
MR90	Upper Paleozoic	MR92	Upper Paleozoic	
MR91	Upper Paleozoic	MR93	Upper Paleozoic	MESOZOIC AND (OR) PALEOZOIC
MR92	Upper Paleozoic	MR94	Upper Paleozoic	
MR93	Upper Paleozoic	MR95	Upper Paleozoic	MESOZOIC AND (OR) PALEOZOIC
MR94	Upper Paleozoic	MR96	Upper Paleozoic	
MR95	Upper Paleozoic	MR97	Upper Paleozoic	MESOZOIC AND (OR) PALEOZOIC
MR96	Upper Paleozoic	MR98	Upper Paleozoic	
MR97	Upper Paleozoic	MR99	Upper Paleozoic	MESOZOIC AND (OR) PALEOZOIC
MR98	Upper Paleozoic	MR100	Upper Paleozoic	

DESCRIPTION OF MAP UNITS

Qs	UNCONSOLIDATED SEDIMENTARY DEPOSITS	MR5	SEDIMENTARY ROCKS, UNDIVIDED—Chiefly limestone
Ts	SEDIMENTARY AND VOLCANIC ROCKS	SOI	HARLEIZED LIMESTONE, CHERT, AND SHALE
Tsv	CONTINENTAL SEDIMENTARY ROCKS—Includes Kenai Group	RS1	SHALE AND LIMESTONE
Kjs	SEDIMENTARY AND VOLCANIC ROCKS, UNDIVIDED	RS2	METAMORPHOSSED SEDIMENTARY AND VOLCANIC ROCKS, UNDIVIDED
Kjb	MARINE SEDIMENTARY ROCKS, UNDIVIDED	TR	INTRUSIVE AND ULTRAMAFIC ROCKS
MR	PILLOW BASALT	TR	GRANODIORITE OF FORAKER PLUTON
MR2	MAFIC VOLCANIC ROCKS, UNDIVIDED	Tmk	MCKINLEY SEQUENCE Chiefly quartz monzonite and granite
MR3	SEDIMENTARY AND VOLCANIC ROCKS, UNDIVIDED	TKI	INTRUSIVE ROCKS, UNDIVIDED—Chiefly granodiorite and quartz diorite
MR4	LIMESTONE-CHERT CONGLOMERATE	MR21	INTRUSIVE ROCKS, UNDIVIDED
MR5	SEDIMENTARY ROCKS (FLYSCH), UNDIVIDED	MR22	ULTRAMAFIC ROCKS, UNDIVIDED

GEOLOGIC SYMBOLS

---	Contact, dashed where approximately located, dotted where concealed
---	Fault, dashed where approximately located, dotted where concealed
---	Thrust or high-angle reverse fault; smooth on upper plate

EXPLANATION FOR GEOLOGIC INTERPRETATION

Fault inferred from aeromagnetic data. Labeled "M" on downthrown side.

Boundary between magnetic and less magnetic rocks dashed where approximately located. Assumed to be near surface or to crop out except where the magnetic unit has a subscript C (covered).

M, MR, MRc
Magnetic anomaly believed to be caused by a mass of contact-metamorphosed layered rocks. Subscript C means covered; subscript B means reversely magnetized.

P, Pc
Magnetic anomaly believed to be caused by a mass of plutonic rocks. Subscript C means covered.

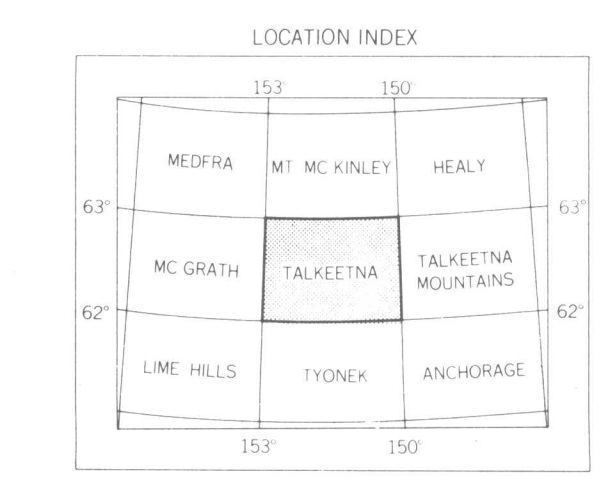
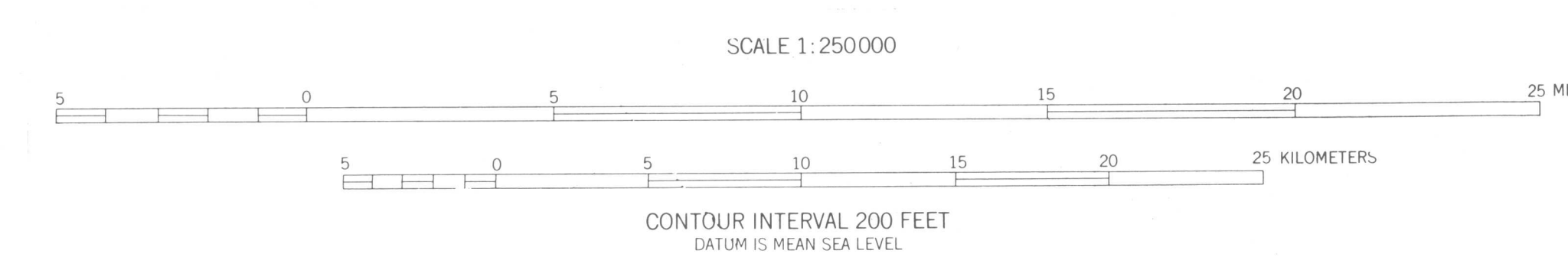
U
Magnetic anomaly believed to be caused by ultramafic rocks.

V, Vr, Vrc
Magnetic anomaly believed to be caused by volcanic rocks. Subscript B means reversely magnetized; subscript C means covered.

Note: Numerical subscripts are labels for areas of anomaly discussed in text.

Base by U. S. Geological Survey, 1958

Geology generalized from Reed and Nelson, 1977



GEOLOGIC INTERPRETATION MAP

AEROMAGNETIC AND GEOLOGIC INTERPRETATION MAPS OF THE TALKEETNA QUADRANGLE, ALASKA

BY
ANDREW GRISCOM
1979

This map is one of a series bearing the number MF 870. Background information relating to this map is published as U. S. Geological Survey Circular 775, available free from Branch of Distribution, U. S. Geological Survey, 1200 South Fads Street, Arlington, VA 22202.

Please return to
MINERALS LIBRARY
A.D.S.G.S.