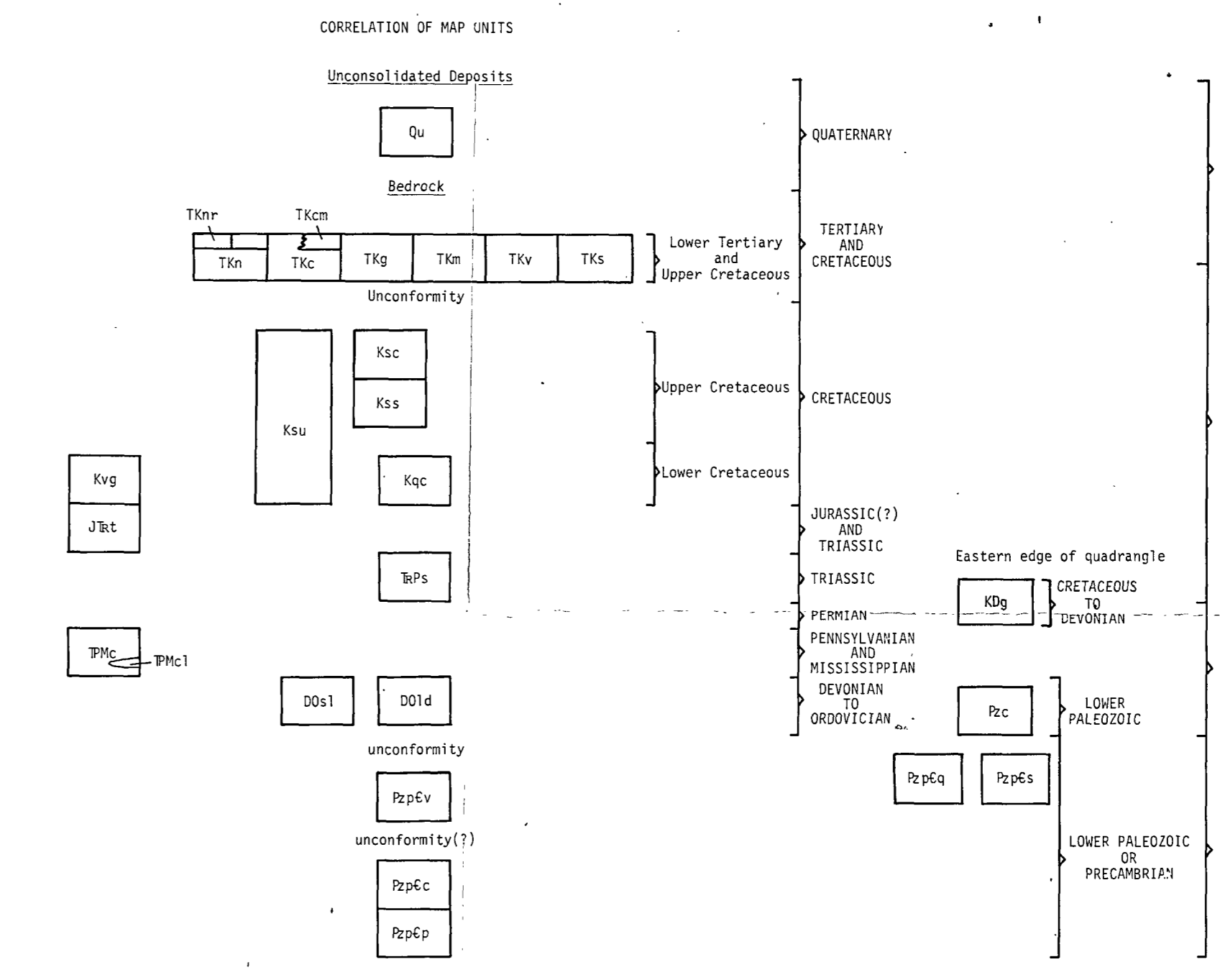
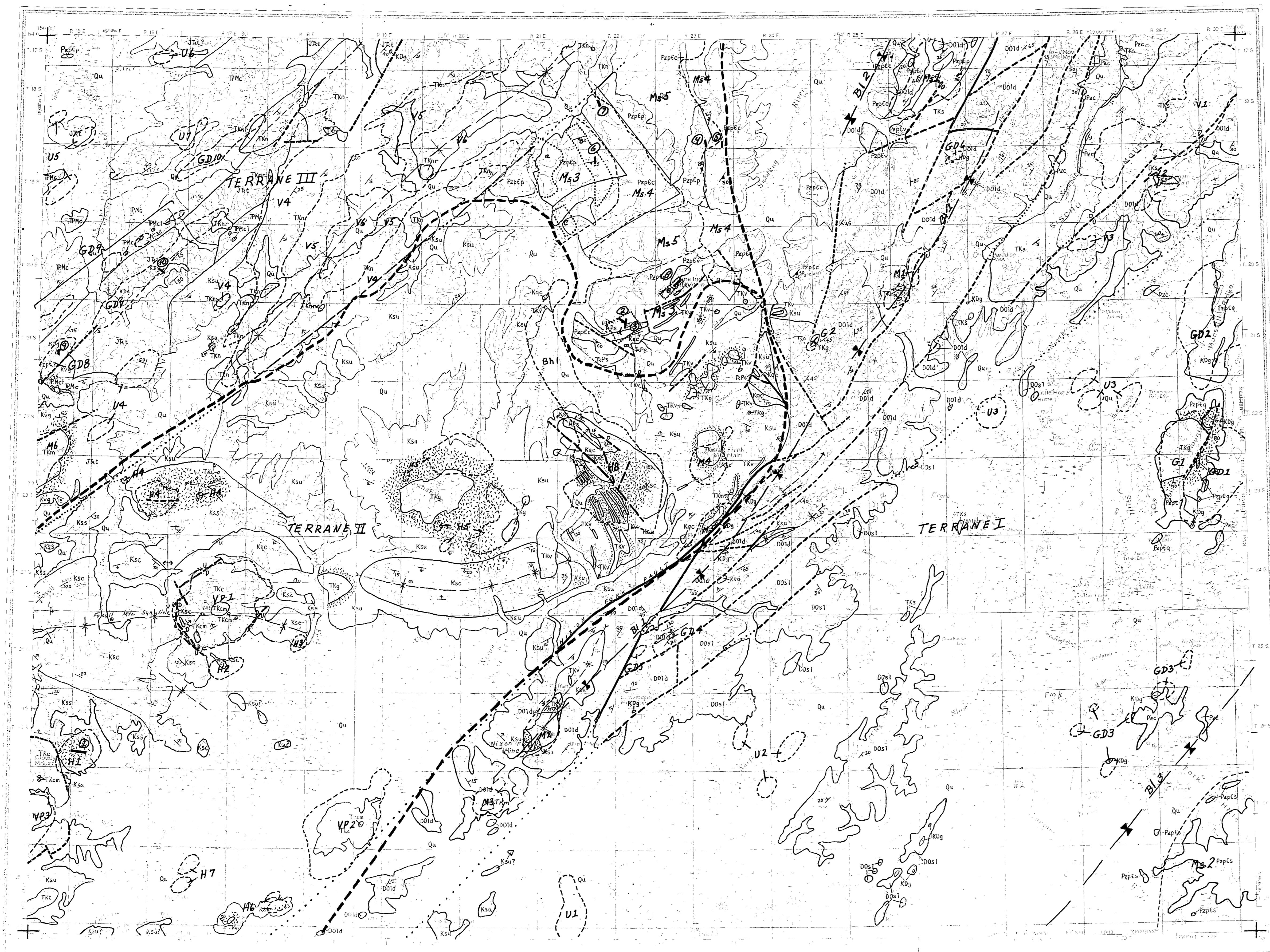


Explanation for Generalized Geologic Map



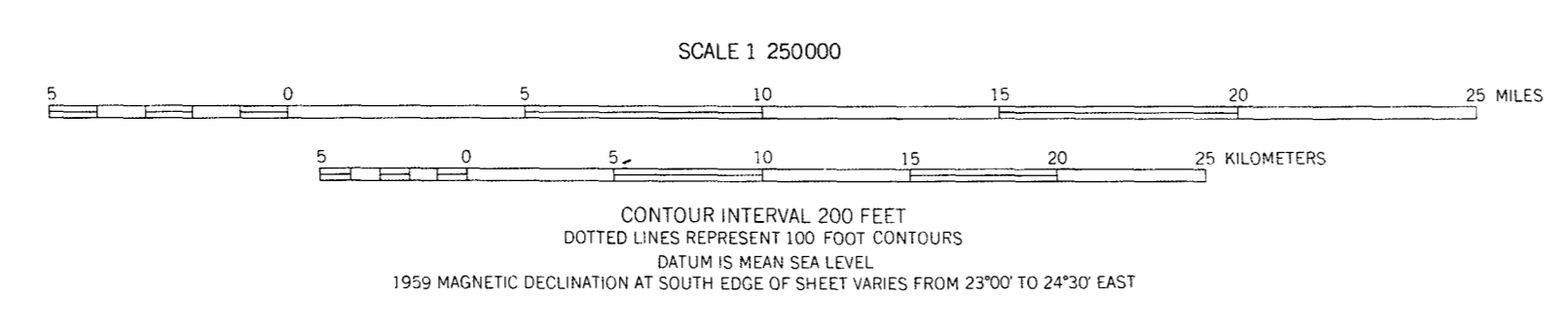
- DESCRIPTION OF MAP UNITS**
- Qu UNDIFFERENTIATED SURFICIAL DEPOSITS
 - Tks VOLCANIC ROCKS OF THE NOMITNA RIVER AREA—Chiefly trachandesite, basaltic andesite, and basalt flows. Thor—Rhyolite domes, tuffs, and breccia
 - Tks MAPLE TO INTERMEDIATE VOLCANIC-PLUTONIC COMPLEXES—Altered basalt, andesite, and trachandesite flows and hypabyssal intrusive bodies. Tks—Small bodies of monzonite, quartz monzonite, and granodiorite
 - Tkg GRANITE
 - Tkw MONZONITE
 - Tks VOLCANIC ROCKS OF HIGH FOUNTAIN UPPER SIKOYNA RIVER AREA—Rhyolite, dacite, and trachandesite dikes, flows, and plugs
 - Tks VOLCANIC ROCKS OF THE SIKOYNA MOUNTAINS—Rhyolite and dacite flows and domes
 - Ksu GABBRO
 - Ksu UNDIFFERENTIATED SHALE, SILTSTONE, AND SANDSTONE
 - Ksc MORPHINE SANDSTONE AND QUARTZ-CHERT CONGLOMERATE
 - Ksc MARINE SANDSTONE, SILTSTONE, AND SHALE
 - Kcc QUARTZ-CARBONATE SANDSTONE AND PEBBLY HUDSTONE
 - Kvg VOLCANIC GRANITE AND CONGLOMERATE
 - Jbk CHERTY TUFF, CRISTAL AND LITHIC TUFFS, AND VOLCANIC BRECCIA
 - Wps SANDSTONE, SANDY LIMESTONE, SPICILLITE, AND CONGLOMERATE
 - Wpc CHERT AND LIMESTONE—Chiefly radiolarian chert. Wpc1—Limestone.
 - DLH SIMPLY LIMESTONE
 - DLH LIMESTONE AND DOLOMITE
 - Rsc CHERT AND PHYLITE
 - RpkS QUARTZITE, GRIT, AND ARGILLITE
 - RpkS SHEARED GRIT, QUARTZITE, AND QUARTZ-MICA SCHIST
 - Rpkv METAVOLCANIC ROCKS—Muscovite and dacite
 - Rpkc CALC-SCHIST
 - RpkS PELITIC SCHIST

Aeromagnetic Anomaly Symbols

- B1 Basement low
 - Bh Basement high
 - GD Gabbro-dabase
 - V Volcanic rocks
 - W Monzonite
 - G Granite
 - VP Volcanoplutonic complex
 - MH Metamorphic rocks
 - H Hornfels
 - U Unknown
- Ground magnetic traverses. Profiles shown in Figure 1
- Boundary between regional magnetic terranes
- Generalized outline of selected magnetic anomalies. Does not represent an inferred contact between magnetic and nonmagnetic units
- Area within selected magnetic anomalies where source rocks may crop out
- Axis of basement low

- GEOLOGIC SYMBOLS**
- Contact—Includes approximately, lacustrine, inferred, and indeterminate
 - Fault—Dashed where approximately located, short dashed where inferred, dotted where concealed. U, upthrown side; D, downthrown side
 - Anticline—Showing direction of plunge
 - Syncline—Showing direction of plunge
 - Strike and dip of beds. May include overturned beds
 - Strike of vertical beds
 - Horizontal beds
 - Strike and dip of beds based on photointerpretation or distant observation
 - Strike and dip of foliation
 - Zone of hornfels

Base: generalized geologic map of the Medfra quadrangle, Alaska, and U.S. Geological Survey 1:50,000 Alaska Topographic Series: Medfra, 1959.



This map is preliminary and has not been reviewed for conformity with U.S. Geological Survey editorial standards.

Contact between Rpkc and Rpkv mapped in part based on interpretation of aeromagnetic data (see Patton and others, Open-File Report 80-811E, in preparation)