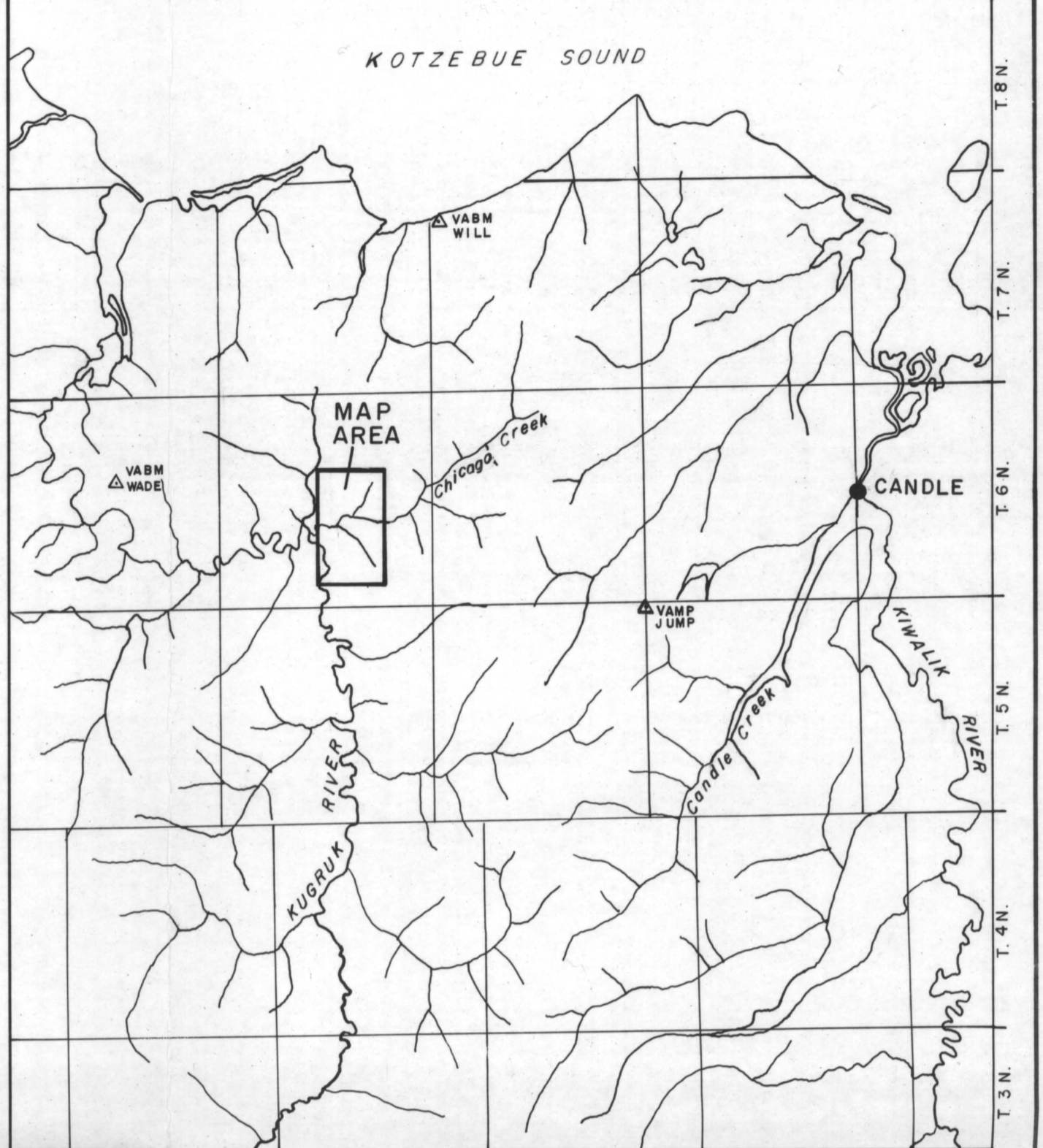
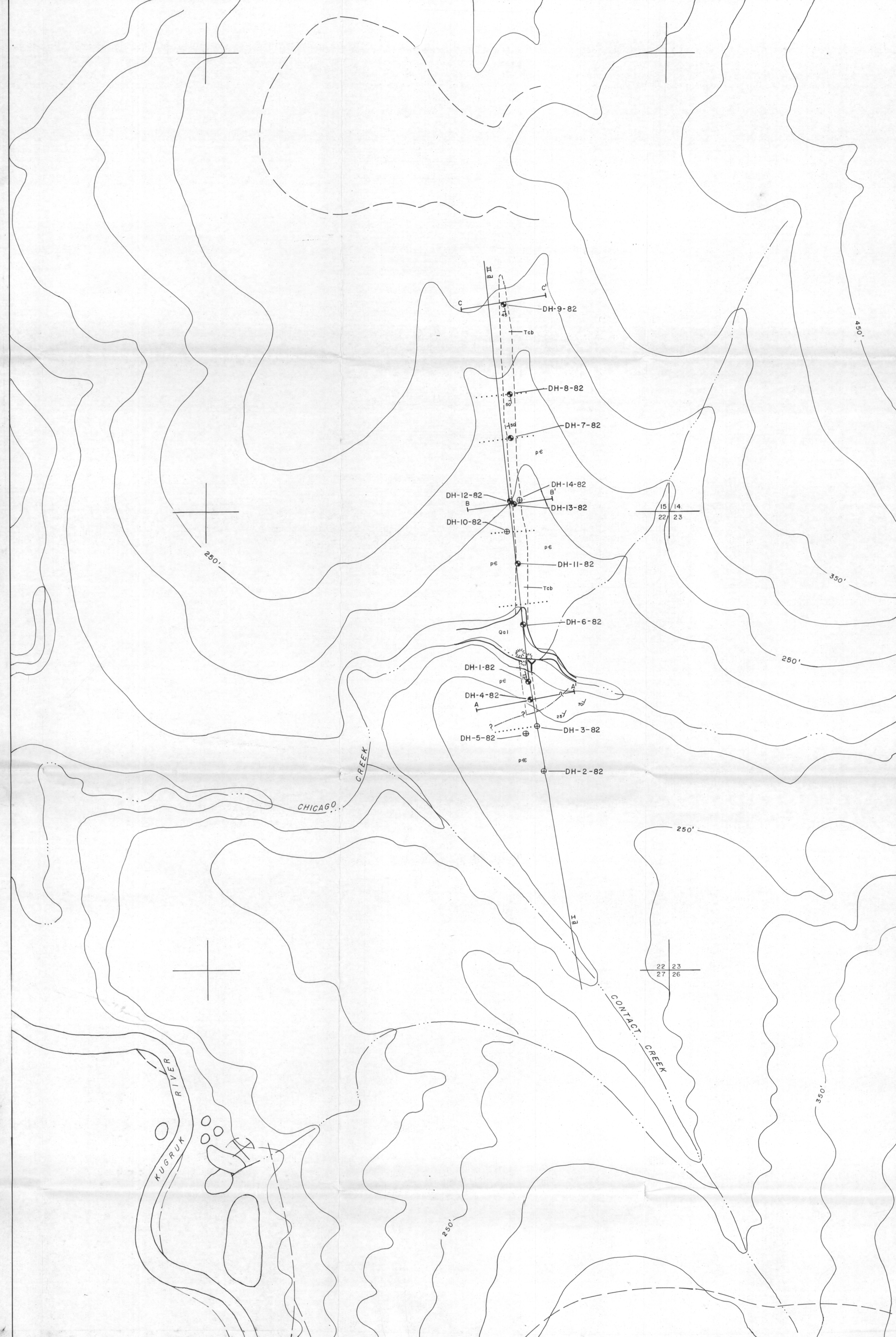
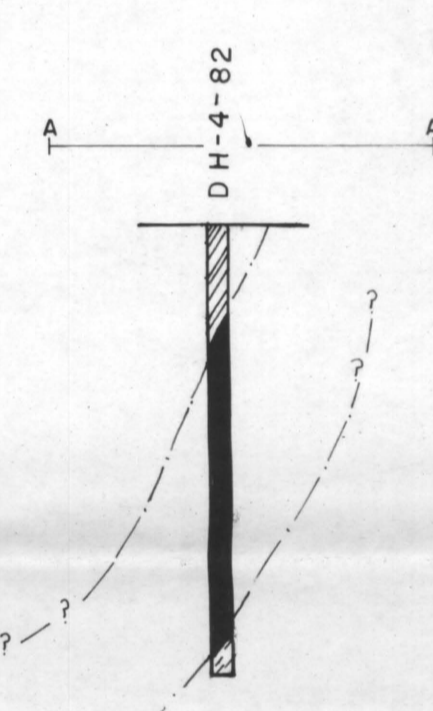
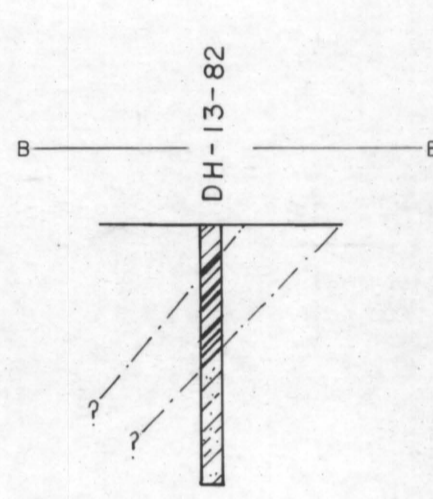
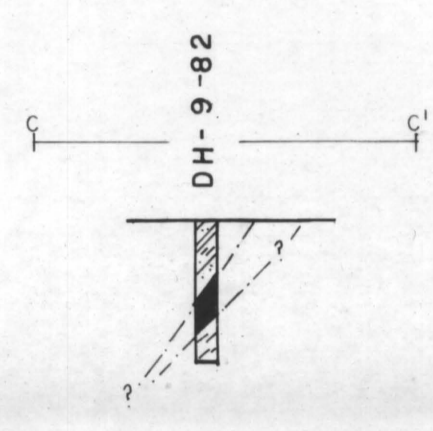
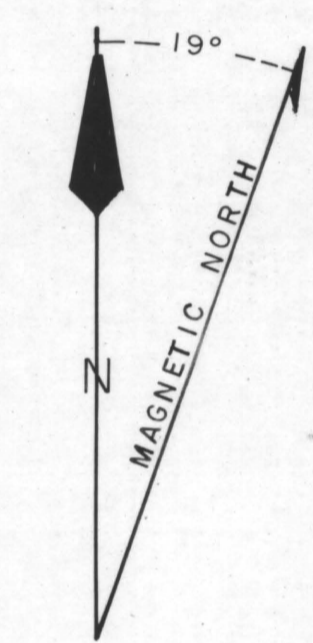


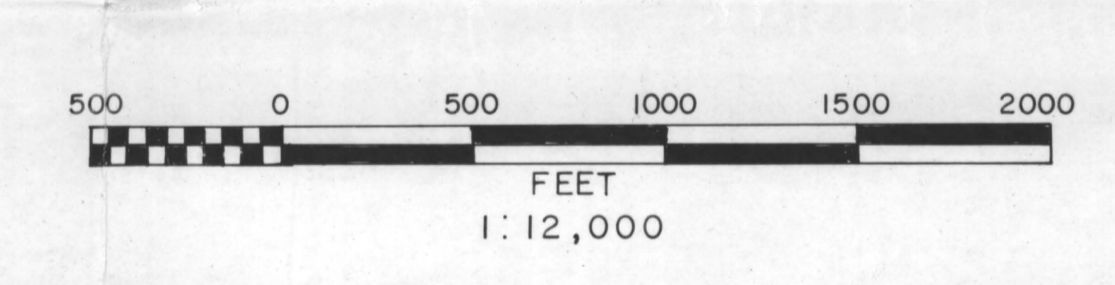
CROSS SECTIONS  
LOOKING NORTH  
HORIZONTAL SCALE-1"=500'  
VERTICAL SCALE-1"=100'



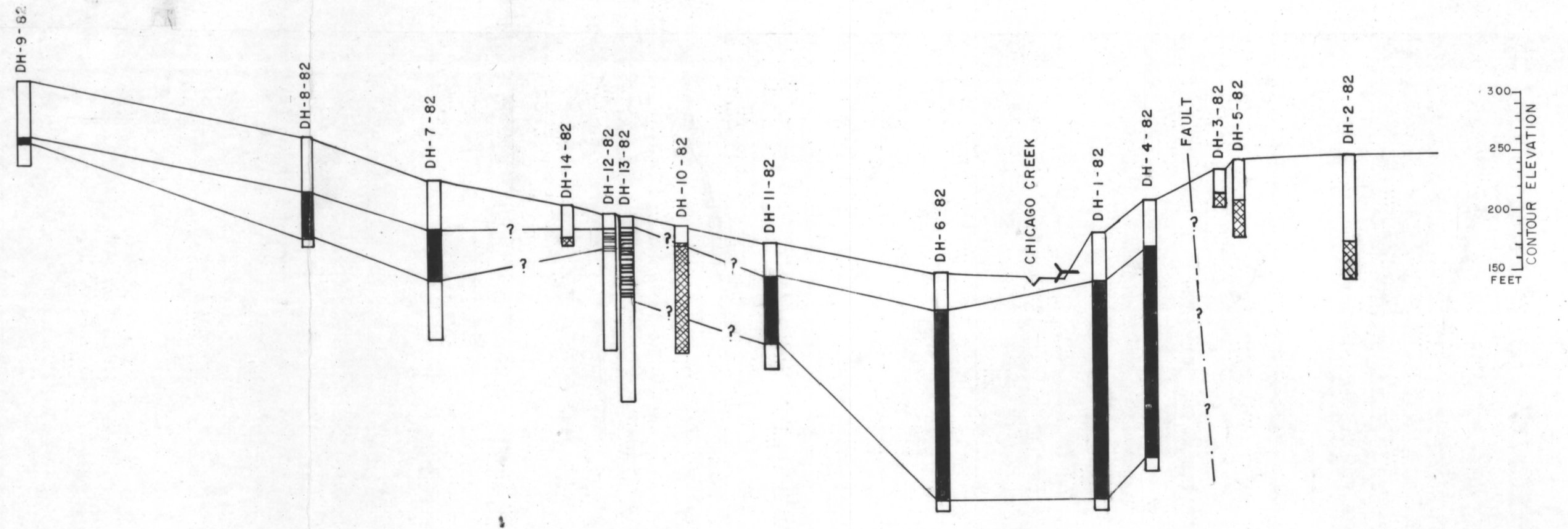
INDEX MAP  
SCALE - 1 : 250,000  
BASED FROM KOTZEBUE, SELAWIK, BENDELEBEN, CANDLE QUADRANGLES



- KEY**
- Qa1 - ALLUVIUM
  - Tcb - COAL BEARING SEDIMENTS
  - pC - PRE-CAMBRIAN META-SEDIMENTS  
(Quartzites, gray-mica schist, graphitic schist, chloritic schist)
  - ⊕ - DRILL HOLE WITH COAL INTERCEPT
  - ⊖ - DRILL HOLE WITH NO COAL INTERCEPT
  - ..... EM LINE, 50' STATIONS
  - I- BASE LINE I N 9°W
  - II- BASE LINE II N 5°40'W
  - ∠ ATTITUDE OF BEDS
  - ?- FAULT, DASHED WHERE INFERRED
  - ☼ - COAL SLACK PILES FROM OLD MINE WORKINGS
  - PROJECTED CONTACT BETWEEN LITHOLOGIC UNITS
  - Y ADIT - CHICAGO CREEK COAL MINE
  - || OVERBURDEN
  - ▬ COAL INTERCEPT
  - ▬ BEDROCK
  - ▨ COAL INTERBEDDED WITH SEDIMENTS
  - ▩ SAND
  - ▧ SILT
  - ▦ CLAYS



**LONGITUDINAL SECTION**  
LOOKING EAST  
HORIZONTAL SCALE-1"=500'  
VERTICAL SCALE-1"=100'



|   |       |     |                 |          |
|---|-------|-----|-----------------|----------|
| STATE OF ALASKA   |       |     |                 |          |
| CHICAGO CREEK PROJECT<br>DRILL HOLE LOCATIONS               |       |     |                 |          |
| SCALE   | DATE  | BY  | N.T.S. NO.      | DWG. NO. |
| 1" = 500 FEET   | 10/82 | SJD | BENDELEBEN QUAD | I        |
| DENALI DRILLING INC. / STEVENS EXPLORATION MANAGEMENT CORP. |       |     |                 |          |