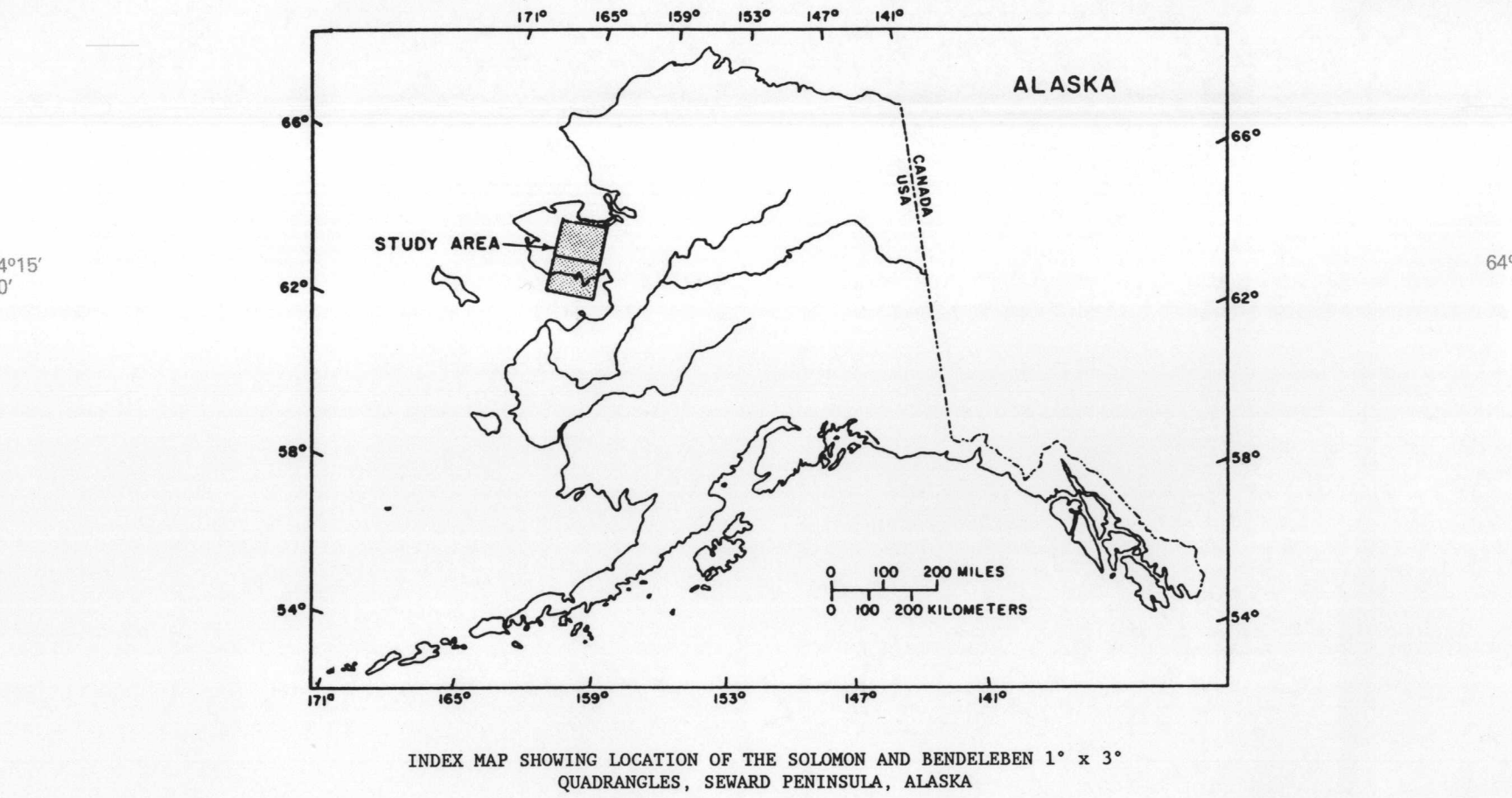
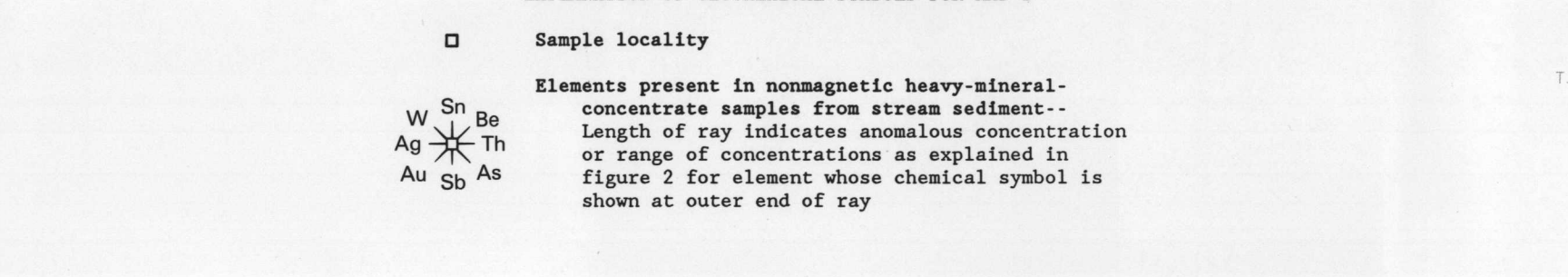
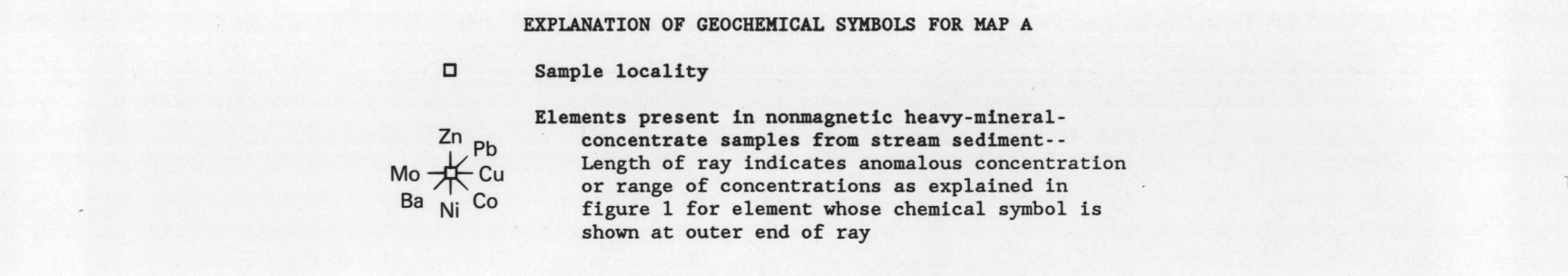
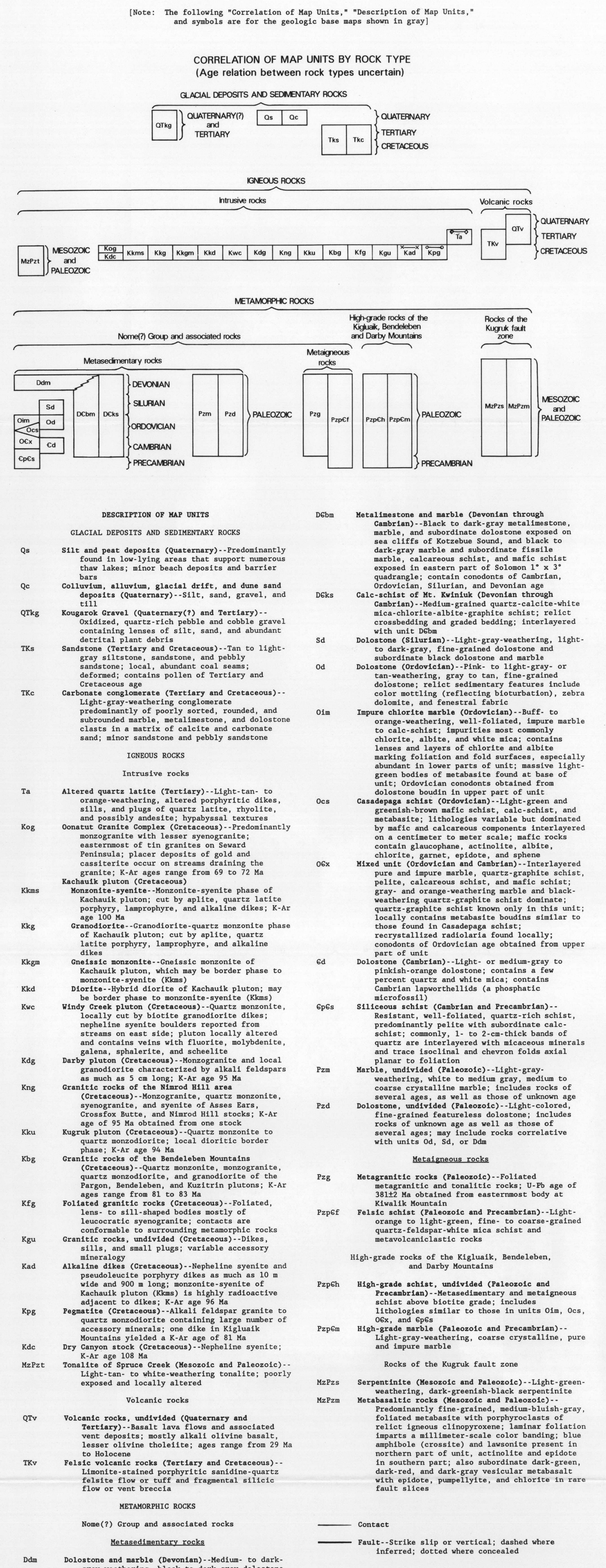
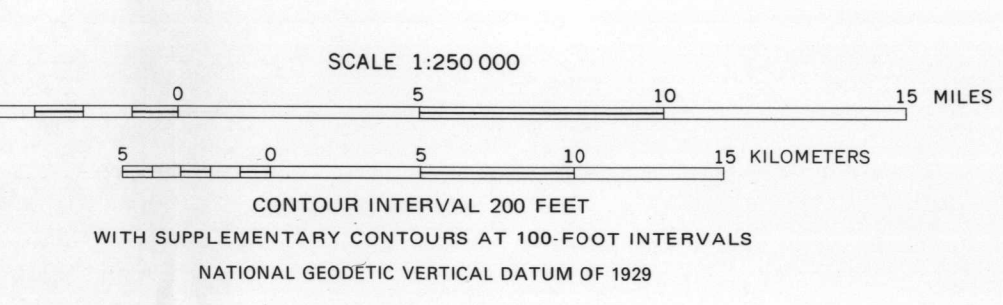


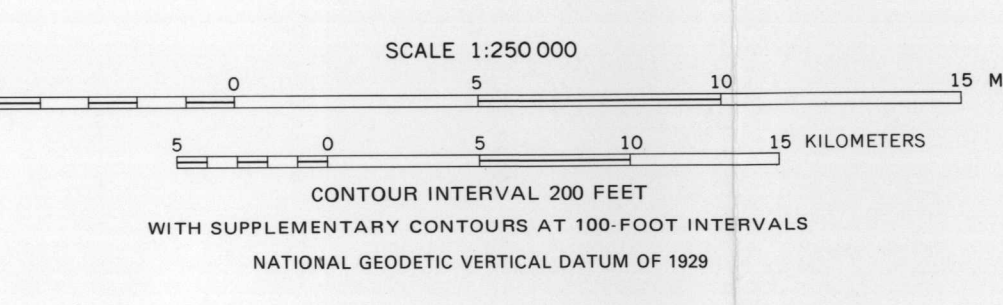
MAP A-DISTRIBUTION AND ABUNDANCE OF Ba, Co, Cu, Mo, Ni, Pb, AND Zn



THIS MAP SHOWS LOCATION OF THE SOLOMON AND BENDELEBEN 1' x 3' QUADRANGLES, SEWARD PENINSULA, ALASKA



MAP B-DISTRIBUTION AND ABUNDANCE OF Ag, As, Au, Be, Sb, Sn, Th, AND W



GEOCHEMICAL MAPS SHOWING THE DISTRIBUTION AND ABUNDANCE OF SELECTED ELEMENTS IN NONMAGNETIC HEAVY-MINERAL-CONCENTRATE SAMPLES FROM STREAM SEDIMENT, SOLOMON AND BENDELEBEN 1' x 3' QUADRANGLES, SEWARD PENINSULA, ALASKA

By  
Harley D. King, Sarah C. Smith, Stephen J. Sutley, and Kimberly R. Greene  
1989

Geology modified from T111 and others (1986)  
Manuscript approved for publication, December 20, 1988

This map was prepared by the U.S. Geological Survey and is available in the public domain. It is not to be reproduced without the written permission of the U.S. Geological Survey. The U.S. Geological Survey is authorized to reproduce and distribute reprints for government purposes. Notwithstanding any copyright notice that may appear hereon, the U.S. Government is authorized to reproduce and distribute reprints for government purposes. Notwithstanding any copyright notice that may appear hereon, the U.S. Government is authorized to reproduce and distribute reprints for government purposes.